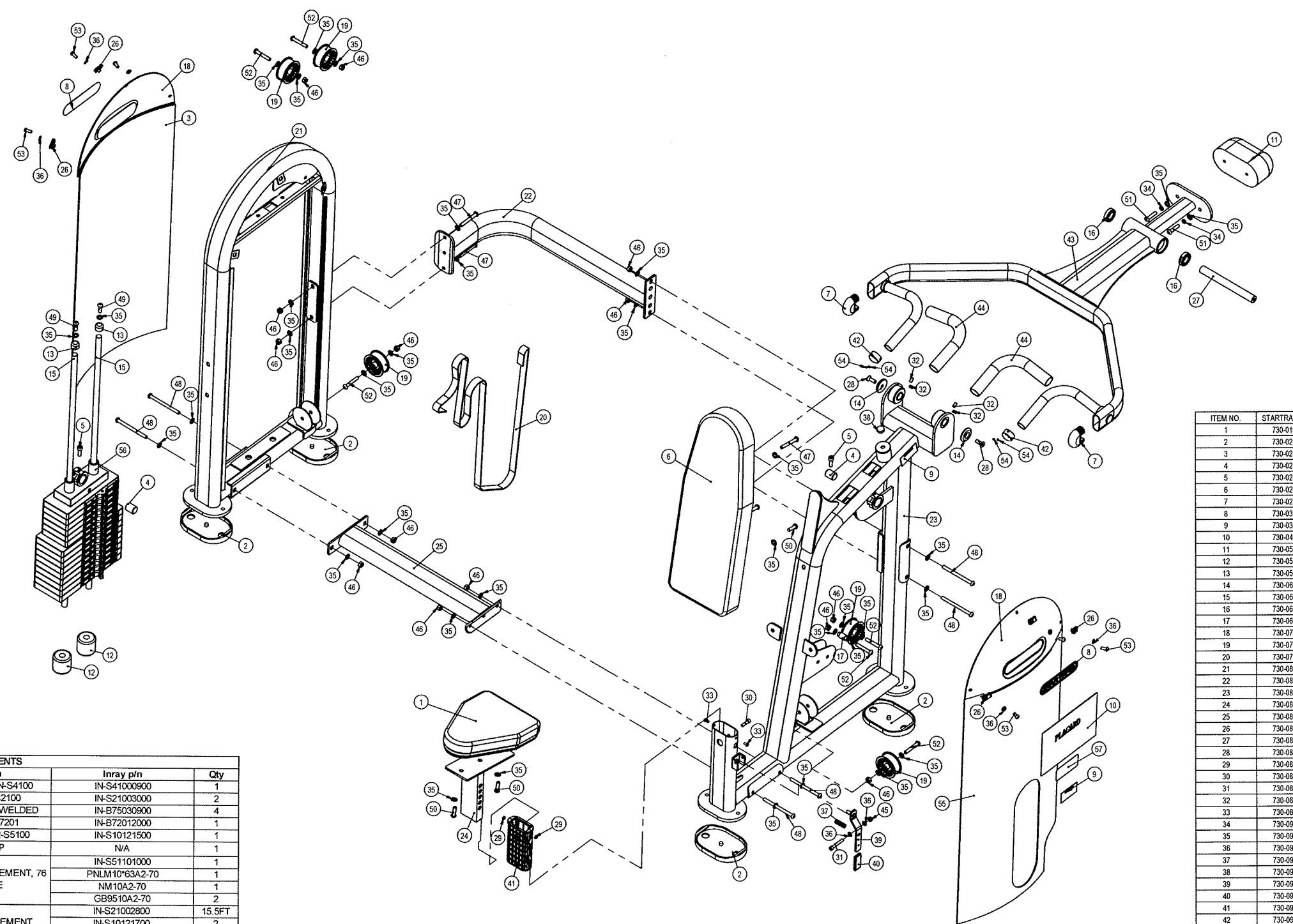


REVISION HISTORY			
REV	DATE	DESCRIPTION	ECO BY
A	10-24-08	PRODUCTION RELEASE	11956 AK



REPLACEMENTS				
Item	StarTrac p/n	Description	Inray p/n	Qty
55	730-0319	SHROUD,FRONT,IN-S4100	IN-S41009000	1
7	730-0292	CAP,ARMS,IN-S2100	IN-S21003000	2
2	730-0216	PAD,FOOT,FRAME,WELDED	IN-B75030900	4
1	730-0194	PAD,SEAT,IN-B7201	IN-B72012000	1
3	730-0233	SHROUD,REAR,IN-S5100	IN-S10121500	1
N/A	730-0321	HEAD STRAP	N/A	1
19	730-0229	KIT, PULLEY REPLACEMENT, 76 MM, SINGLE	IN-S51101000	1
			PNLM10*63A2-70	1
			NM10A2-70	1
			GB9510A2-70	2
20	730-0215	KIT, BELT REPLACEMENT	IN-S21002800	15.5FT
			IN-S10121700	2
			GB70M10*30A2-70	1
N/A	730-0187	KIT, HARDWARE, IN-S4100	N/A	N/A
18	730-0228	KIT, UPPER SHROUD	IN-D10132800	1
			PNLM8*20A2-70	3
			GB958A2-70	3
			IN-B75021300	2
42	730-0156	ASSY ENDCAP, 32MM, ALUMINUM	IN-B75021600	2ft
			YZGB7710-32*3.2DS2	4
			IN-B72010600	1
39	730-0251	KIT ADJUSTMENT HANDLE, IN-D1014	IN-B72011400	1
			HF1642303	1
			GB70M8*55A2-70	1
			GB958A2-70	2
41	730-0213	KIT, SEAT SLEEVE, IN-B7502	IN-B72011700	2
			GB41M6A2-70	2
			GB818M6*12A2-70	2
11	730-0322	KIT, COUNTERBALANCE, IN-S4100	IN-S4100700	1
			PNLM10*45*45A2-70	2
			GB9510A2-70	38
			GB9310DG12	2

ITEM NO.	STARTRAC PIN	INRAY PIN	DESCRIPTION	QTY.
1	730-0194	IN-B72012000	PAD,SEAT,IN-B7201	1
2	730-0216	IN-B75030900	PAD,FOOT,FRAME,WELDED	4
3	730-0233	IN-S10121500	SHROUD,REAR,IN-S5100	1
4	730-0236	IN-S10121700	PIN,BELT ANCHOR	2
5	730-0237	GB70M10-30A2-70NL	SCREW,M10X30,SHS,SS	2
6	730-0246	IN-S21002200	PAD,BACK REST,IN-S2100	1
7	730-0292	IN-S21003000	CAP,ARMS,IN-S2100	2
8	730-0383	STARTRAC1	LOGO,STARTRAC	2
9	730-0385	CAUTION	LABEL,CAUTION,PINCH POINT	2
10	730-0405	TZZSSA100	PLACARD,INSTRUCTION,IN-S4100	1
11	730-0550	IN-S41000700	COUNTERBALANCE, IN-S4100	1
12	730-0562	IN-D10132900	BUMPER,STACK,60MM	2
13	730-0565	TR0129500	CAP,END,HANDLE	2
14	730-0656	IN-S51102100	CAP,50MM OD	2
15	730-0662	IN-S21001300	WEIGHT STACK,GUIDE RAIL	2
16	730-0673	GB2766005-22	ISO 15 RBB - 1025 - 14,SL,NC,14_68	2
17	730-0680	IN-D10154400	BELT,GUIDE,M19X39	1
18	730-0702	IN-D10132800	SHROUD,UPPER	2
19	730-0721	IN-S51101000	PULLEY,75MM	6
20	730-0778	IN-S10112000	BELT	1
21	730-0819	IN-S41000100	WEIGHT STACK,FRAME	1
22	730-0820	IN-S41000200	CROSSBEAM,UPPER,FRAME	1
23	730-0821	IN-S41000300	ASSY,MAIN FRAME	1
24	730-0822	IN-S41000500	ASSY,SEAT POST,IN-S4100	1
25	730-0823	IN-S41000600	CROSSBEAM,LOWER,FRAME	1
26	730-0845	IN-S21004800	SHROUD,MOUNTING,U-STYLE,CLIP	6
27	730-0846	IN-S33200800	SHAFT,25MM X 234	1
28	730-0871	CNL,M10*30DG2	SCREW,M10X30,FHM,HK,SS	2
29	730-0885	GB41M6A2-70	NUT,M6,JAM,HEX,SS	2
30	730-0891	GB70M8-30A2-70NL	SCREW,M8X30,SHS,SS	1
31	730-0892	GB70M8-55A2-70	SCREW,M8X55,SHS,SS	1
32	730-0896	GB77M8-16A2-70	SCREW,M8X16,SET,SS	4
33	730-0899	GB818M6-12A2-70	SCREW,M6X12,BHC,SS	2
34	730-0907	GB9310DG12	WASHER,M10,SPLIT,LOCK,SS	2
35	730-0908	GB9510A2-70	WASHER,M10,FLAT,SS	39
36	730-0910	GB958A2-70	WASHER,M8,BELLEVILLE,SS	8
37	730-0911	HF1642303	ADJUSTMENT,HANDLE,COMPRESSION SPING	1
38	730-0913	HF3574000	BUMPER	1
39	730-0930	IN-B72010600	ASSY,EXTENSION,ADJUSTMENT,HANDLE	1
40	730-0935	IN-B72011400	ASSY,ADJUSTMENT,HANDLE,END,SLEEVE	1
41	730-0936	IN-B72011700	ASSY,TUBE,INSERT,SLEEVE	2
42	730-0960	IN-B75021300	CAP,HANDLE GRIP,33MM	2
43	730-1072	IN-S41000400	LEVERAGE ARM,U-SHAPE,IN-S4100	1
44	730-1074	IN-S41000800	LEVERAGE ARM,RUBBER,HAND GRIP,SLEEVE	2
45	730-1103	NM8A2-70	NUT,M8,NYLON PATCH,SS	1
46	730-1104	NM10A2-70	NUT,M10,NYLON PATCH,SS	15
47	730-1109	PNLM10-80A2-70	SCREW,M10X80,BH,SS	3
48	730-1112	PNLM10-130A2-70	SCREW,M10X130,BH,SS	6
49	730-1118	PNLM10-30A2-70	SCREW,M10,BHC,SS	2
50	730-1119	PNLM10-35A2-70	SCREW,M10X35,BH,SS	4
51	730-1121	PNLM10-45A2-70	SCREW,M10X45,BHC,SS	2
52	730-1122	PNLM10-63A2-70	SCREW,M10X63,BHC,SS	7
53	730-1138	PNLM8-20A2-70	SCREW,M8X20,BHC,SS	6
54	730-1155	YZGB7710-32x3.2DS2	SCREW,10-32X3.2,SET	4
55	730-1334	730-1334	SHROUD,LNL,S4100	1
56	730-1399	730-1399	WSA-LNL,180LB,15H	1
57	730-1491	730-1491	LABEL,INSTRUCTIONS,LOCK N LOAD	1

**PRODUCTION RELEASE**  
DOCUMENT STATUS:

UNISEN, INC. DBA STARTRAC 14410 Myford Road Irvine CA 92606

91L-S4100-13BSS A

IN,SSS,SHOULDER PRESS,LNL

SCALE: 1:20 [SHEET 1 OF 1] SHEET SIZE: B

DATE: 08/14/07

DRAWN: AK

CHECKED: [Signature]

APPROVED: [Signature]

U.O.M. MM

FINISH: FRAME COLOR: STAR TRAC SILVER (SILVER (HP FULLER)) UPHOLERY COLORE: STAR TRAC GREY (SLATE)

VENDOR: N/A

P/N: N/A

CLASS OF WORK: FINE, MEDIUM, COARSE, VERY COARSE

TOLERANCES FOR MEASURE OF LENGTH ARE: 0.5, 1, 2, 3, 4, 5, 6, 8, 10, 12, 15, 20, 25, 30, 40, 50, 60, 75, 100, 125, 150, 200, 250, 300, 400, 500, 600, 800, 1000, 1200, 1500, 2000